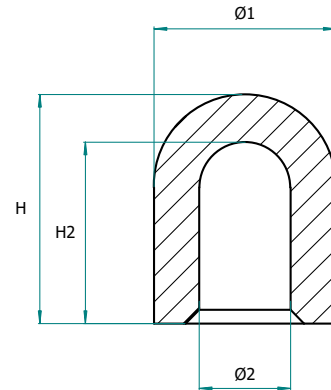


ABDECKKAPPEN MASKING CAPS



Artikel Nr. Part no.	Gesamt Ø Total Ø	Loch Ø Hole Ø	Gesamthöhe Total height	Höhe innen Height inner	Material Material	
	Ø1	Ø2	H	H2		
1913	5,5	2,7	5,0	3,8	EB	
1918	7,0	2,4	9,0	6,4	EB	
1732	12,3	10,6	25,0	24,1	EB	
1712	13,0	8,2	11,0	9,0	EB	

Information:

EB = EPDM, schwarz

Toleranzen nach (DIN ISO 3302, Teil 2 M2F)
Irrtum vorbehalten

Information:

EB = EPDM, black

General measuring tolerances (DIN ISO 3302, section 2 M2F)
Errors excepted

